

## SP Terminal Units

Pneumatech MGS East & Zeus SP terminal units provide a safe means of supplying medical equipment with medical gases from the central gas supply system. They are manufactured to accept only the gas specific probes to prevent interchangeability between different types of services. The East and Zeus SP gas-specific terminal units are attached permanently via copper tube or semi-permanently via medical gas hose assemblies to the facility gas distribution pipeline system and allow mechanical connection to and gas flow through a suitable connector.

### Classification

- Gas and vacuum specific terminal units designed to BS EN 9170-1
- Terminal units compatible with medical gas probes to BS 5682.
- Carbon Dioxide and Nitrogen designed to accept NIST probes to BS EN 15908 and 5359
- CE 0088 marked

### Services

- Oxygen
- Nitrous Oxide
- 50% Oxygen / 50% Nitrous Oxide
- Air 400 kPa
- Air 700 kPa
- Medical Vacuum
- Carbon Dioxide
- Nitrogen

### Terminal Block

Machined brass incorporating seal plate, check valve and brazed copper stub pipe  
Gas and vacuum indexed  
Fully degreased for Oxygen use

### Check Valve Assembly

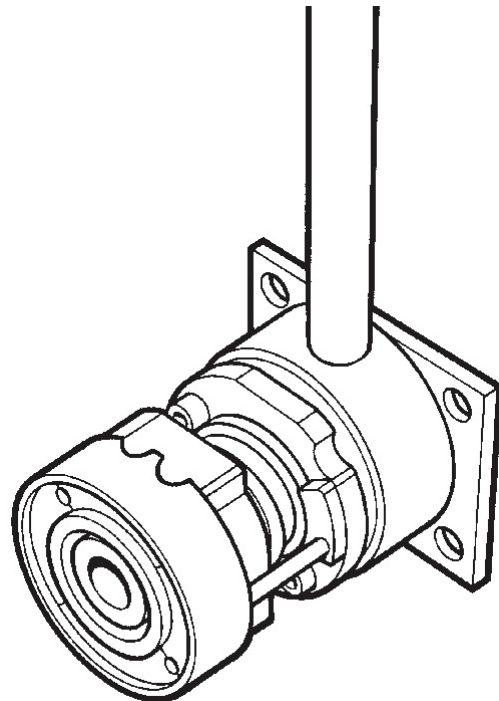
- Machined brass incorporating spring operated shut-off valve
- Fully degreased for Oxygen use

### Tailpipe Options

- Top, bottom, left and right side entry

### Socket Assembly

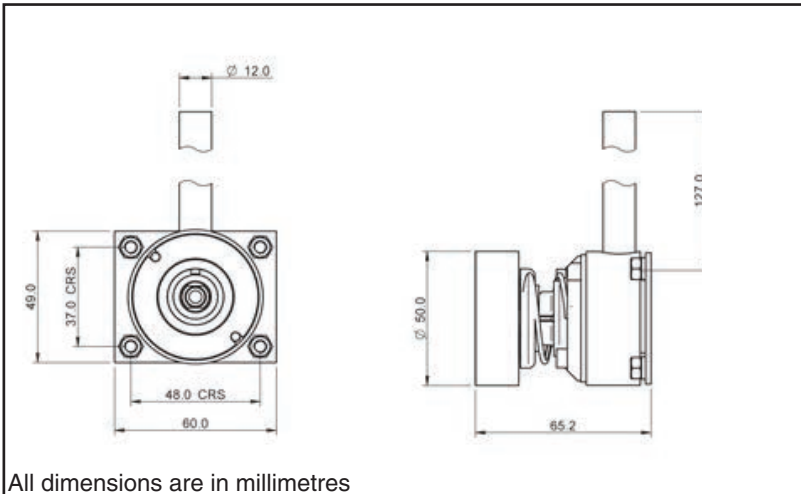
- East SP
  - Zinc die-casting
  - Black Teflon coated body
  - Copper / zinc finished interlock ring
  - Stainless steel rolling pins
- Zeus SP
  - Moulded polymer
  - Teflon coated stainless steel rolling pins



## Wall and Bedhead Mounted Fitting. Top, Bottom, Side or Back Entry tailpipe

### Part Numbers

Service	1st Fix Block Top Entry	1st Fix Block Back Entry	East SP 2nd Fix		Zeus SP 2nd Fix	
			NON SWIVEL	SWIVEL	NON SWIVEL	SWIVEL
Oxygen	360130	360940	8102341184	8102341190	8102341232	8102341238
Nitrous Oxide	360131	360941	8102341185	8102341191	8102341233	8102341239
50% O <sub>2</sub> / 50% N <sub>2</sub> O	360132	360942	8102341186	8102341192	8102341234	8102341240
Air 400 kPa	360133	360943	8102341187	8102341193	8102341235	8102341241
Air 700 kPa	360134	360944	8102341188	8102341194	8102341236	8102341242
Vacuum	360145	360945	8102341189	8102341195	8102341237	8102341243
AGSS	360146	360956	8102341280			
Carbon Dioxide	360227	n.d.	8102341281			
Nitrogen	360509	n.d.	8102341282			



All dimensions are in millimetres

### Top, Bottom, Side Entry, with Tailpipe (125 mm)

#### Installed Height

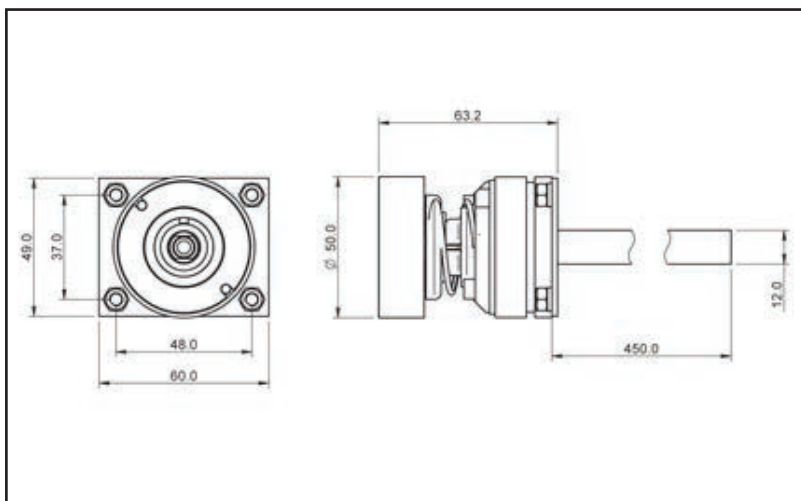
Recommended installation height for all wall outlets is 900 to 1400 mm above floor level

#### Installed size

N/A

#### Note:

4 off M5 x 35 studs to be provided in the bedhead unit



### Back Entry

#### With Tailpipe

#### Installed Height

Recommended installation height for all wall outlets is 900 to 1400 mm above floor level

#### Installed size

N/A

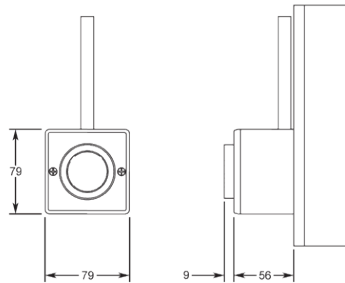
#### Note:

4 off M5 x 35 studs to be provided in the bedhead unit

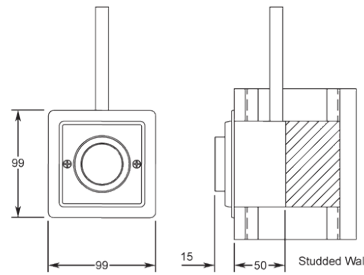


## Wall and Bedhead Mounted Fitting. Top, Bottom, Side or Back Entry tailpipe

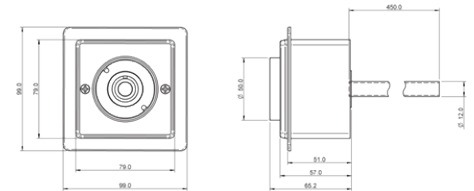
Surface fitting with tailpipe



Flush fitting with tailpipe



Back Entry tailpipe



	Surface fitting with tailpipe	Flush fitting with tailpipe	Back Entry tailpipe
Installed Size	Height 79 mm; Width 79 mm	Height 99 mm; Width 99 mm	Height 99 mm; Width 99 mm
Protrusion (from wall) <sup>1</sup>	65 mm	15 mm	n.a.
Depth into wall	Nil mm	50 mm	n.a.

**Note:**

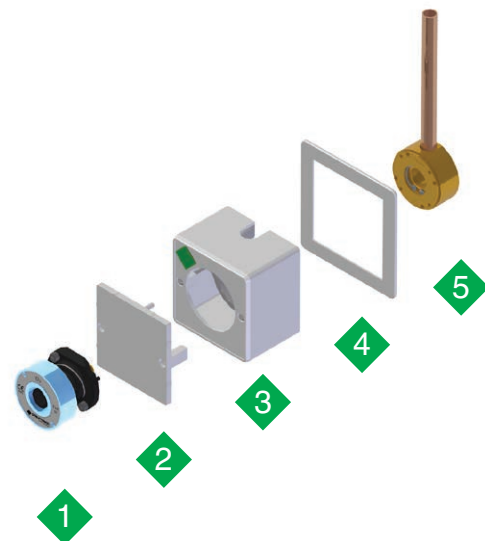
- For Carbon Dioxide & Nitrogen consult PMGS Technical department
- All dimensions are in millimetres;
- Image also includes additional components, see Options table.
- Recommended installation height for all wall outlets is 900 to 1400 mm above floor level;

**Options:**

	Accessories	Product numbers
1	Socket and check valve assembly	gas specific
2	Plaster Shield	3268005
3	Installation kit <sup>1</sup>	8102341159
4	Flush surround	3268009
5	Terminal block	gas specific
6	Bedhead mount <sup>2</sup> 'Installation Kit'	3268008

<sup>1</sup> Installation kit consist of: back box, cover box, surface fascia - white ABS.

<sup>2</sup> Bedhead mount 'Installation Kit' is not required in case of wall mount.



## Pendant Mounted

### Classification

- Gas and vacuum specific terminal units designed to BS EN 9170-1.
- Terminal units compatible with medical gas probes to BS 5682.
- Soldered NIST connections are designed to BS EN 15908 & 5359
- Carbon Dioxide and Nitrogen designed to accept NIST probes to BS EN 15908 and 5359
- CE marked

### Services

- Oxygen
- Nitrous Oxide
- 50% Oxygen / 50% Nitrous Oxide
- Air 400 kPa
- Air 700 kPa
- Medical Vacuum
- Carbon Dioxide
- Nitrogen

### Terminal Block

- Machined brass incorporating seal plate, check valve and brazed copper stub pipe
- Gas and vacuum indexed
- Fully degreased for Oxygen use

### Check Valve Assembly

- Machined brass incorporating spring operated shut-off valve
- Fully degreased for Oxygen use

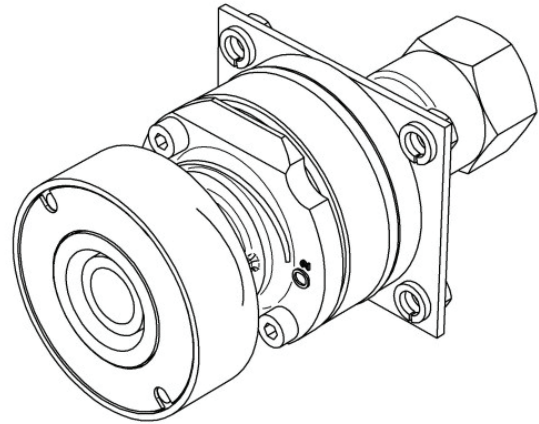
### Socket Assembly

- East SP

## Product Numbers

Pendant or Boom with NIST connector

Service	East SP				Zeus SP			
	NIST Anti-swivel	NIST Swivel	NIST 45° Anti-swivel	NIST 45° Swivel	NIST Anti-swivel	NIST Swivel	NIST 45° Anti-swivel	NIST 45° Swivel
Oxygen	8102341202	8102341214	8102341208	8102341220	8102341250	8102341262	8102341256	8102341268
Nitrous Oxide	8102341203	8102341215	8102341209	8102341221	8102341251	8102341263	8102341257	8102341269
50% O <sub>2</sub> / 50% N <sub>2</sub> O	8102341204	8102341216	8102341210	8102341222	8102341252	8102341264	8102341258	8102341270
Air 400 kPa	8102341205	8102341217	8102341211	8102341223	8102341253	8102341265	8102341259	8102341271
Air 700 kPa	8102341206	8102341218	8102341212	8102341224	8102341254	8102341266	8102341260	8102341272
Vacuum	8102341207	8102341219	8102341213	8102341225	8102341255	8102341267	8102341261	8102341272
AGSS	8102341284		8102341287		8102341284		8102341287	
CO <sub>2</sub>	8102341285		8102341288		8102341285		8102341288	
Nitrogen	8102341286		8102341289		8102341286		8102341289	



- Zinc die-casting
- Black Teflon coated body
- Copper / zinc finished interlock ring
- Stainless steel rolling pins

- Zeus SP
  - Moulded polymer
  - Teflon coated stainless steel rolling pins

### Installation Kit

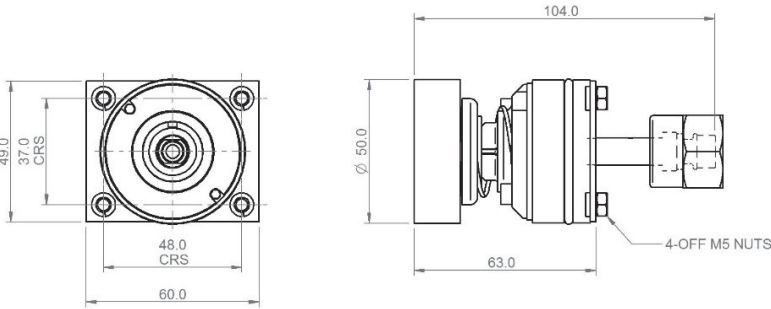
- Mild steel mounting plate, zinc coated
- Studs or captive nuts required

### Tailpipe Options

- NIST connection - Anti-swivel (horizontal axis)
- NIST connection - Non Anti-swivel (vertical axis)
- Copper tailpipe - Non Anti-swivel (vertical axis)



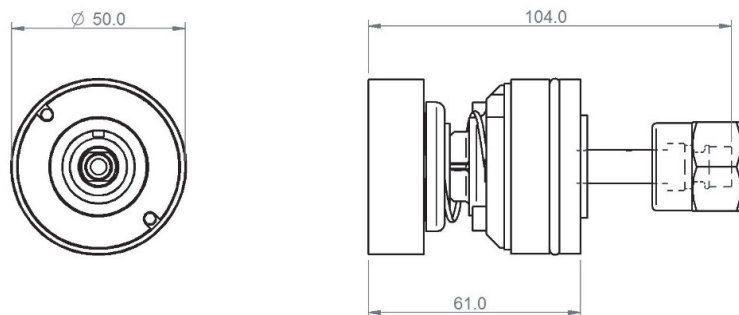
## Pendant Mounted



All dimensions are in millimetres

**Pendant or Boom with NIST connector**

(For Carbon Dioxide and Nitrogen dimensions consult Pneumatech MGS Technical department)



All dimensions are in millimetres

**Flexible Pendant Head with NIST Connector**

(For Carbon Dioxide and Nitrogen dimensions consult Pneumatech MGS Technical department)

